



HADEN

ESTD. ENGLAND 1958



INSTRUCTION MANUAL



PRODUCT CODE: 195579

20 LITRE MICROWAVE



How Can We Help?

The Haden team is always interested in what you have to say, so why not get in touch?



Call us
01909 544 570



Email us
info@hadenappliances.com

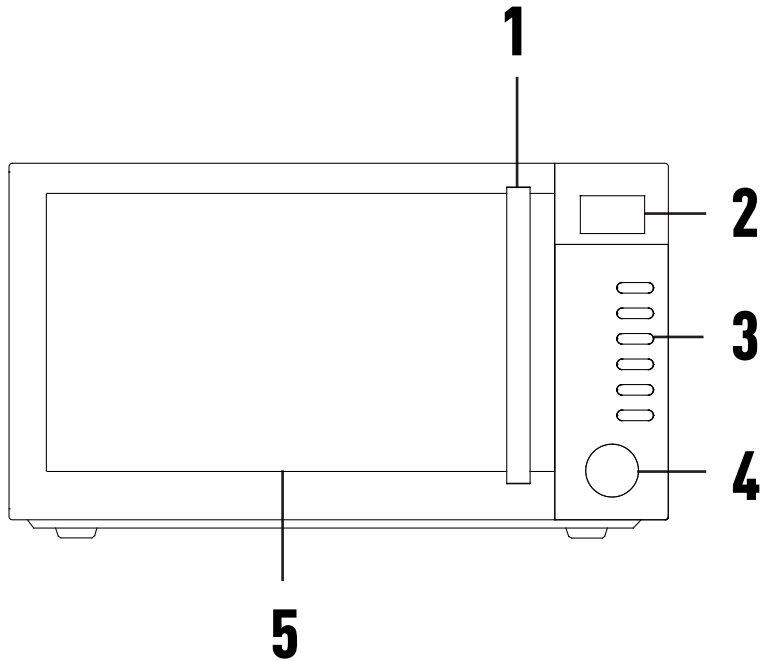


Write to us
**Team Haden, Sabichi Homewares
Ltd, Priorswell Rd, Worksop, S80 2BY**



Visit us
www.hadenappliances.com

COMPONENTS



1. Microwave Door
2. Display Panel
3. Digital Controls
4. Dial
5. Microwave Window

IMPORTANT SAFEGUARDS

- 1. Do not attempt to operate this oven with the door open since open door operation can result in harmful exposure to microwave energy. It is important not to defeat or tamper with the safety interlocks.**
- 2. Do not place any object between the oven front face and the door or allow soil or cleaner residue to accumulate on sealing surfaces.**
- 3. Do not operate the oven if it is damaged. It is particularly important that the oven door close properly and that there is no damage to the
Door,
Hinges and latches,
Door seals and sealing surfaces.**
- 4. The oven should not be adjusted or repaired by anyone except properly qualified service personnel.**

When using the electrical appliance basic safety precautions should be followed, including:

WARNING: To reduce the risk of burns, electric shock, fire, injury to persons or exposure to excessive microwave energy:

1. Read all instructions before using the appliance and keep for future reference.
2. Use this appliance only for its intended use as described in this manual. Do not use corrosive chemicals or vapors in this appliance. This type of oven is specifically designed to heat, cook or dry food. It is not designed for industrial or laboratory use.
3. Do not operate the oven when empty.
4. Do not operate this appliance if it has a damaged cord or plug, if it is not working properly or if it has been damaged or dropped. If the supply cord is damaged, it must be replaced by the manufacturer or its service agent or a similarly qualified person in order to avoid a hazard.

5. **WARNING:** Only allow children to use the oven without supervision when adequate instructions have been given so that the child is able to use the oven in a safe way and understands the hazards of improper use.

6. To reduce the risk of fire in the oven cavity:

a) When heating food in plastic or paper container, keep an eye on the oven due to the possibility of ignition.

b) Remove wire twist-ties from paper or plastic bags before placing bag in oven.

c) If smoke is observed, switch off or unplug the appliance and keep the door closed in order to stifle any flames.

d) Do not use the cavity for storage purposes. Do not leave paper products, cooking utensils or food in the cavity when not in use.

e) The microwave oven is intended for heating food and beverages. Drying of clothing and heating of warming pads, slippers, sponges, damp cloth and similar may lead to risk of injury, ignition or fire.

7. **WARNING:** Liquid or other food must not be heated in sealed containers since they are liable to explode.

8. Microwave heating of beverage can result in delayed eruptive boiling, therefore care has to be taken when handle the container.

9. Do not fry food in the oven. Hot oil can damage oven parts and utensils and even result in skin burns.

10. Eggs in their shell and whole hard-boiled eggs should not be heated in microwave ovens since they may explode even after microwave heating has ended.

11. Pierce foods with heavy skins such as potatoes, whole squashes, apples and chestnuts before cooking.

12. The contents of feeding bottles and baby jars should be stirred or shaken and the temperature should be checked before serving in order to avoid burns.

13. Cooking utensils may become hot because of heat transferred from the heated food. Oven gloves may be needed to handle the container.

14. Utensils should be checked to ensure that they are suitable for use in microwave oven.

15. **WARNING:** It is hazardous for anyone other than a trained person to carry out any service or repair operation which involves the removal of any cover which gives protection against exposure to microwave energy.

16. This product is a Group 2 Class B ISM equipment. The definition of Group 2 which contains all ISM (Industrial, Scientific and Medical) equipment in which radio-frequency energy is intentionally generated and/or used in the form of electromagnetic radiation for the treatment of material, and spark erosion equipment. For Class B equipment is equipment suitable for use in domestic establishments and in establishments directly connected to a low voltage power supply network which supplies buildings used for domestic purpose for domestic purpose.

17. This appliance is not intended for use by persons (including children) with reduced physical, sensory or mental capabilities, or lack of experience and knowledge, unless they have been given supervision or instruction concerning use of the appliance by a person responsible for their safety.

18. Children should be supervised to ensure that they do not play with the appliance.

19. The microwave oven is only used in freestanding..

20. **WARNING:** Do not install oven over a range cooktop or other heat-producing appliance. If installed could be damaged and the warranty would be void.

21. The microwave oven shall not be placed in a cabinet.

22. The door or the outer surface may get hot when the appliance is operating.

23. **Warning:** Accessible parts may become hot during use. Young children should be kept away.

24. During use the appliances becomes hot. Care should be taken to avoid touching heating elements inside the oven, for cooking ranged and ovens.

25. The temperature of accessible surfaces may be high when the appliance is operating.
26. The appliance shall be placed against a wall.
27. WARNING: If the door or door seals are damaged, the oven must not be operated until it has been repaired by a competent person
28. The instructions shall state that appliances are not intended to be operated by means of an external timer or separate remote-control system.
29. The microwave oven is for household use only and not for commercial use.
30. Never remove the distance holder in the back or on the sides, as it ensures a minimum distance from the wall for air circulation.
31. Please secure the turn table before you move the appliance to avoid damages.
32. Caution: It is dangerous to repair or maintain the appliance by no other than a specialist because under these circumstances the cover have to be removed which assures protection against microwave radiation. This applies to changing the power cord or the lighting as well. Send the appliance in these cases to our service centre.
33. The microwave oven is intended for defrosting, cooking and steaming of food only.
34. Use gloves if you remove any heated food.
35. Caution! Steam will escape, when opening lids or wrapping foil.

INSTALLATION

1. Make sure that all the packing materials are removed from the inside of the door.
2. **WARNING:** Check the oven for any damage, such as misaligned or bent door, damaged door seals and sealing surface, broken or loose door hinges and latches and dents inside the cavity or on the door. If there is any damage, do not operate the oven and contact qualified service personnel.
3. This microwave oven must be placed on a flat, stable surface to hold its weight and the heaviest food likely to be cooked in the oven.
4. Do not place the oven where heat, moisture, or high humidity are generated, or near combustible materials.
5. For correct operation, the oven must have sufficient airflow. Allow 20cm of space above the oven, 10cm at back and 5cm at both sides. Do not cover or block any openings on the appliance. Do not remove feet.
6. Do not operate the oven without glass tray, roller support, and shaft in their proper positions.
7. Make sure that the power supply cord is undamaged and does not run under the oven or over any hot or sharp surface.
8. The socket must be readily accessible so that it can be easily unplugged in an emergency.
9. Do not use the oven outdoors.

RADIO INTERFERENCE

Operation of the microwave oven can cause interference to your radio, TV, or similar equipment.

When there is interference, it may be reduced or eliminated by taking the following measures:

1. Clean door and sealing surface of the oven.
2. Reorient the receiving antenna of radio or television.
3. Relocate the microwave oven with respect to the receiver.
4. Move the microwave oven away from the receiver.
5. Plug the microwave oven into a different outlet so that microwave oven and receiver are on different branch circuits.

MICROWAVE COOKING PRINCIPLES

1. Arrange food carefully. Place thickest areas towards outside of dish.
2. Watch cooking time. Cook for the shortest amount of time indicated and add more as needed. Food severely overcooked can smoke or ignite.
3. Cover foods while cooking. Covers prevent spattering and help foods to cook evenly.
4. Turn foods over once during microwave cooking to speed cooking of such foods as chicken and hamburgers. Large items like roasts must be turned over at least once.
5. Rearrange foods such as meatballs halfway through cooking both from top to bottom and from the center of the dish to the outside.

GROUNDING INSTRUCTIONS

This appliance must be earthed. This oven is equipped with a cord having a earthing wire with a grounding plug. It must be plugged into a wall receptacle that is properly installed and grounded. In the event of an electrical short circuit, grounding reduces risk of electric shock by

providing an escape wire for the electric current. It is recommended that a separate circuit serving only the oven be provided. Using a high voltage is dangerous and may result in a fire or other accident causing oven damage.

WARNING Improper use of the grounding plug can result in a risk of electric shock.

Note:

1. If you have any questions about the grounding or electrical instructions, consult a qualified electrician or service person.
2. Neither the manufacturer nor the dealer can accept any liability for damage to the oven or personal injury resulting from failure to observe the electrical connection procedures.

The wires in this cable main are colored in accordance with the following code:

Green and Yellow = EARTH

Blue = NEUTRAL

Brown = LIVE

BEFORE YOU CALL FOR SERVICE

If the oven fails to operate:

1. Check to ensure that the oven is plugged in securely. If it is not, remove the plug from the outlet, wait 10 seconds, and plug it in again securely.
2. Check for a blown circuit fuse or a tripped main circuit breaker. If these seem to be operating properly, test the outlet with another appliance.
3. Check to ensure that the control panel is programmed correctly and the timer is set.
4. Check to ensure that the door is securely closed engaging the door safety lock system. Otherwise, the microwave energy will not flow into the oven.

IF NONE OF THE ABOVE RECTIFIES THE SITUATION, THEN CONTACT A QUALIFIED TECHNICIAN. DO NOT TRY TO ADJUST OR REPAIR THE OVEN YOURSELF.

UTENSILS GUIDE

1. Microwave cannot penetrate metal. Only use utensils that are suitable for use in microwave ovens. Metallic containers for food and beverages are not allowed during microwave cooking. This requirement is not applicable if the manufacturer specifies size and shape of metallic containers suitable for microwave cooking.
 2. Microwave cannot penetrate metal, so metal utensils or dishes with metallic trim should not be used.
 3. Do not use recycled paper products when microwave cooking, as they may contain small metal fragments which may cause sparks and/or fires.
 4. Round /oval dishes rather than square/oblong ones are recommend, as food in corners tends to overcook.
 5. Narrow strips of aluminum foil may be used to prevent overcooking of exposed areas. But be careful don't use too much and keep a distance of 1 inch (2.54cm) between foil and cavity.
- The list below is a general guide to help you select the correct utensils.

COOKWARE	MICROWAVE
Heat-Resistant Glass	Yes
Non Heat-Resistant Glass	No
Heat-Resistant Ceramics	Yes
Microwave-Safe Plastic Dish	Yes
Kitchen Paper	Yes
Metal Tray	No
Metal Rack	No
Aluminum Foil & Foil Containers	No

PART NAMES

1. Door Safety Lock System

2. Oven Window

3. Roller Ring

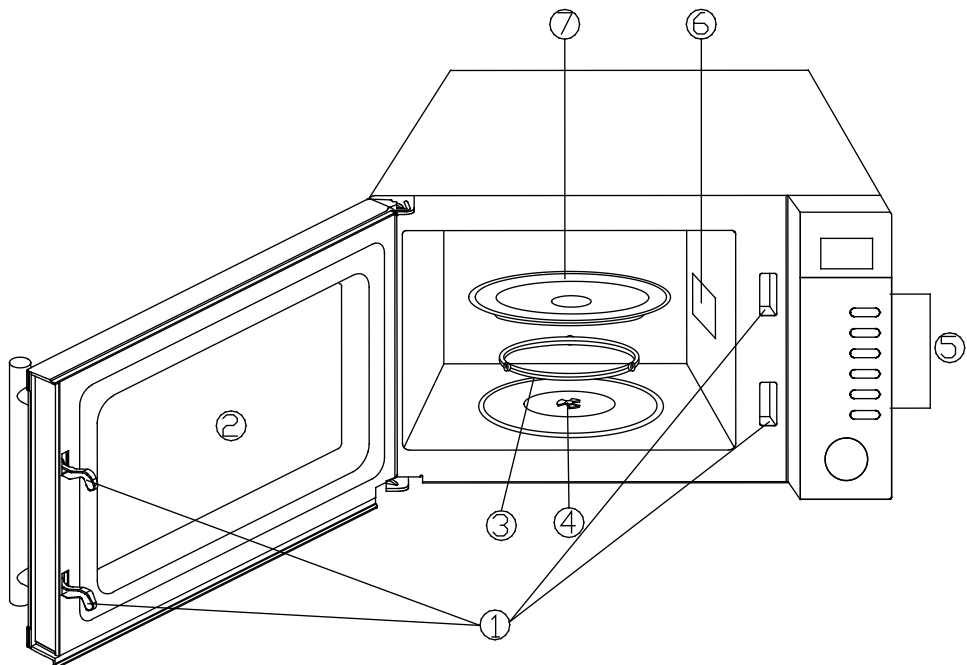
4. Shaft

5. Control Panel

6. Wave Guide

(Please do not remove the mica plate covering the wave guide)

7. Glass Tray




CONTROL PANEL

MENU ACTION SCREEN

- Cooking time, power, action indicators, and clock time are displayed.
- **POWER LEVEL**
 - Touch this button a number of times to set microwave cooking power level.
- **WEIGHT DEFROST**
 - Touch to defrost food by weight.
- **CLOCK**
 - Touch this button to enter the correct time of day.
- **PRESET**
 - Touch to set a preset cooking program.
- **AUTO COOK**
 - Press for instant settings to cook popular food.
- **STOP/CANCEL**
 - Press to cancel setting or reset the oven before setting a cooking program.
 - Press once to temporarily stop cooking, or twice to cancel cooking altogether.
- It is also used for setting child lock.
- **WEIGHT/TIME**
 - Rotate the dial to input clock time, cooking time or to enter food weight.
- **START/QUICK START**
 - Touch to start a cook program.
 - Simply touch it a number of times to set cooking time and the oven will cook immediately at full power level.



HOW TO SET THE OVEN CONTROLS

- When the oven first plugged in, beep will sound and the display will show "1:01" and .
- During cooking setting process, then oven will return to waiting mode if there is not any operation for 25 seconds.
- During cooking, if press STOP/CANCEL button once or open the door, the program will be paused, then press START/QUICK START pad to resume, but if press STOP/CANCEL pad twice, the program will be canceled.
- After ending cooking, the screen will display End with sound every two minutes until user press STOP/CANCEL pad or open the door.

SETTING THE DIGITAL CLOCK

This is a 12 or 24 hour cycle, you can choose it by touching CLOCK button. Note: You can press the CLOCK button once to check current time of the clock during cooking.

Suppose you want to set the oven clock time to 8:30.

1. In standby mode, press the CLOCK button once or twice to set the clock in 12 or 24 hour cycle.
2. Turn the WEIGHT/TIME dial to indicate the hour digit 8.
3. Press the CLOCK button.
4. Turn the WEIGHT/TIME dial to indicate the minute digits until the screen shows 8: 30.

MICROWAVE COOKING

For microwave cooking, just press the POWER LEVEL button a number of times to select a cooking power level, and then use the WEIGHT/TIME knob to set a desired cooking time. The longest cooking time is 95 minutes. The oven will start to cook after START/QUICK START is pressed.

You can select power level by pressing POWER LEVEL repeatedly:

Press POWER LEVEL button	Display	Cooking Power
Once	100	100%
Twice	80	80%
3 times	60	60%
4 times	40	40%
5 times	20	20%
6 times	00	0%

For example, suppose you want to cook for 1 minute at 60% of microwave power.

1. Press the POWER LEVEL button repeatedly to select power level.
2. Turn WEIGHT/TIME dial to 1:00.
3. Press START/QUICK START.

Note: You can check the current cooking power level when cooking is in progress by pressing the POWER LEVEL button.

QUICK START

This feature allows you to start the oven quickly. The longest cooking time is 10 minutes.

In standby mode, press the START/QUICK START in quick succession to set the cooking time, the oven starts working at full power level.

WEIGHT DEFROST

The oven allows the defrosting food based on the weight you entered. The time and the defrosting power are adjusted automatically once the weight is programmed. The food weights range from 100g to 1800g. Suppose you want to defrost 600g of shrimp.

1. Place the shrimp to be defrosted into the oven and close the door.
2. Press WEIGHT DEFROST button once.
3. Turn WEIGHT/TIME to enter weight 600g.
4. Press the START/QUICK START.

Note: During defrosting process, the system will pause and signal to remind you to turn over the food, after that, press START/QUICK START to resume.

PRESET

Preset function allows the oven to start up in a later time. Suppose now the clock running at 11:10 and you want the oven to start cooking at 11:30.

1. Set a cook program (except Weight Defrost and Quick Start).
2. Press the PRESET button.
3. Rotate the WEIGHT/TIME dial to enter hour digit 11.
4. Press the PRESET button.
5. Rotate the WEIGHT/TIME dial to enter minute digit 30.
6. Press PRESET to confirm.

Note: When it reaches the preset time, beeps can be heard to signal the preset cooking program begins.

When set, you can check the preset time by pressing PRESET. To cancel the feature, touch PRESET and then STOP/CANCEL.

MULTISTAGE COOKING

Your oven can be programmed for up to 2 automatic cooking sequences.

Suppose you want to set the following cooking program.
Microwave Cooking

Microwave Cooking (with lower cooking power)

1. Input Microwave Cooking program. Do not touch START/QUICK START.
2. Input another stage of Microwave Cooking program (with lower cooking power).
3. Press START/QUICK START.

Note: Quick Start and Weight Defrost can not be set in the multistage cooking mode. Auto Cook menu could be only set in the first stage. The respective lights will turn on to indicate which stage the oven is operating in.

CHILD LOCK

Use to prevent unsupervised operation of the oven by little children. The child lock indicator will show up on display screen, and the oven cannot be operated while the child lock is set.

To set: In standby mode, hold down the STOP/CANCEL button for 3 seconds, a beep sounds and lock indicator lights. In the locked mode, other buttons are disabled.

To cancel: Hold down the STOP/CANCEL button for 3 seconds until lock indicator on display goes off.

AUTO COOK MENU

For food or the following cooking mode, it is not necessary to program the duration and the cooking power. It is sufficient to indicate the type of food that you wish to cook as well as the weight of this food.

For example: to cook 400g of fish.

1. In standby mode, press AUTO COOK repeatedly to select corresponding food code.
2. Rotate the WEIGHT/TIME dial to indicate a weight of 400g.
3. Press the START/QUICK START.

Code	Food/cooking mode	
01	Milk/Coffee (200ml/cup)	<ol style="list-style-type: none"> 1. For milk/coffee, potato, parameters are not food weight but number of servings. 2. For popcorn, there is only one choice. 3. For spaghetti, add boiled water before cooking. 4. The result of auto cook depends on factors such as fluctuation of voltage, the shape and size of food, your personal preference as to the doneness of certain foods and even how well you happen to place food in the oven.
02	Rice (g)	
03	Spaghetti (g)	
04	Potatoes (230g/unit)	
05	Auto Reheat (g)	
06	Fish (g)	
07	Popcorn (99g)	
08	Pizza (g)	

CLEANING & CARE

1. Turn off the oven and remove the power plug from the wall socket before cleaning.
2. Keep the inside of the oven clean. When food splatters or spilled liquids adhere to oven walls, wipe with a damp cloth. Mild detergent may be used if the oven gets very dirty. Avoid the use of spray and other harsh cleaners as they may stain, streak or dull the door surface.
3. The outside surfaces should be cleaned with a damp cloth. To prevent damage to the operating parts inside the oven, water should not be allowed to seep into the ventilation openings.
4. Wipe the both sides of the door and window, the door seals and adjacent parts frequently with a damp cloth to remove any spills or spatters. Do not use abrasive cleaner.
5. A steam cleaner is not be used.
6. Do not allow the control panel to become wet. Clean with a soft, damp cloth. When cleaning the control panel, leave oven door open to prevent oven from accidentally turning on.
7. If steam accumulates inside or around the outside of the oven door, wipe with a soft cloth. This may occur when the microwave oven is operated under high humidity condition. And it is normal.
8. It is occasionally necessary to remove the glass tray for cleaning. Wash the tray in warm sudsy water or in a dishwasher.

9. The roller ring and oven floor should be cleaned regularly to avoid excessive noise. Simply wipe the bottom surface of the oven with mild detergent. The roller ring may be washed in mild sudsy water or dishwasher. When removing the roller ring from cavity floor for cleaning, be sure to replace in the proper position.

10. Remove odors from your oven by combining a cup of water with the juice and skin of one lemon in a deep microwaveable bowl, microwave for 5 minutes. Wipe thoroughly and dry with a soft cloth.

11. When it becomes necessary to replace the oven light, please consult a dealer to have it replaced.

12. The oven should be cleaned regularly and any food deposits removed. Failure to maintain the oven in a clean condition could lead to deterioration of the surface that could adversely affect the life of the appliance and possibly result in a hazardous.

13. Please do not dispose this appliance into the domestic rubbish bin; it should be disposed to the particular disposal center provided by the municipalities.

TECHNICAL DETAILS

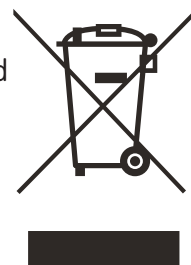
AC: 230V~240V

50Hz

Power: 800W

WASTE DISPOSAL

According to Waste of Electrical and Electronic Equipment (WEEE) directive, WEEE should be separately collected and treated. If at any time in the future you need to dispose of this product please do NOT do so with household waste. Please send this product to WEEE collection points where available.



AFTER SALES SERVICE

This product is guaranteed for two years from the date of original purchase. Proof of purchase will be required. The guarantee is subject to the following provisions:

The guarantee does not cover accidental damage, misuse, unit parts, knobs or consumable items.

The product must be correctly stored and operated in accordance with the instructions contained in this manual.

It must be used solely for domestic purposes.

The guarantee will be rendered invalid if the product is re-sold or has been damaged by inexperienced repair.

Specifications are subject to change without prior notice.

The manufacturer disclaims any liability for incidental or consequential damages.

The guarantee is in addition to, and does not affect your statutory or legal rights.



www.hadenappliances.com