

## Media Services Equipment Loans Quick Guide

---

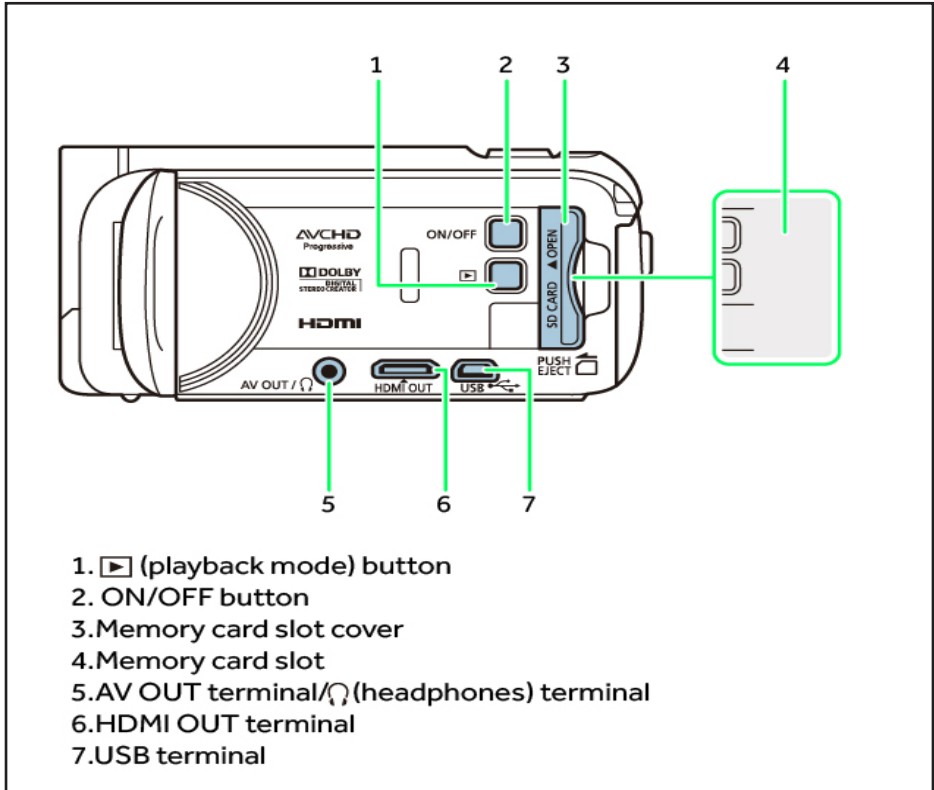


### Canon Legria HFR76

---

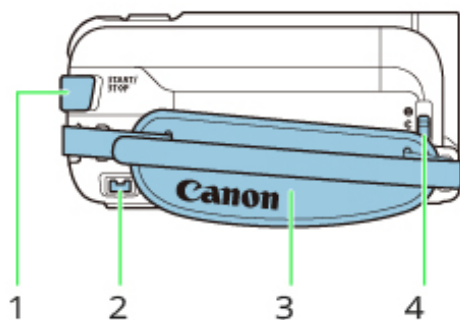
## Diagram - Camcorder Leftside View

---



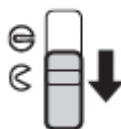
## Diagram - Camcorder Rightside View

---



1. START/STOP button
2. DC IN terminal
3. Grip belt
4. Lens cover switch.

Move the lens cover down to ☞ to open the lens cover.



## Basic Operation of the Camcorder

Open the **LCD** panel 90 degrees. By default this will turn on the camcorder.

The buttons and menu items that appear on the touch screen change depending on the operating mode and the task you are performing.

Touch on an element displayed on the touch screen. Used to start playback, etc.

When touching the screen, swipe your finger up and down or left and right across the screen. Used to scroll menus, adjust slider controls like the volume.

### Using the Menus

The **(Home)** menu is the gateway to most of the camcorder's functions and actions. In recording mode, the **(Home)** menu offers immediate access to some frequently used functions. In playback mode, it is from the **(Home)** menu that you will switch between the movies' and photos' index screens. In both modes, from the **(Home)** menu you can open the **[Other Settings]** menus for more detailed settings.

### Basic Recording

1. Open the LCD panel to turn on the camcorder.

You can press **ON/OFF**

2. Slide the lens cover open.
3. Press **START/STOP** to begin recording.

Press **START/STOP** to stop recording. The scene will be recorded to the memory. The **ACCESS** indicator will flash from time to time while the scene is being recorded.

## How to Change Camera Modes & Record Settings

The camcorder's operating modes are indicated with a bar of icons. A full icon in blue indicates that the function described can be used that particular operating mode.



### Movie Format

Refers to AVCHD or MP4 recordings. You can change the movie format from the  **Recording Setup** menu.

### Recording

When you open the **LCD** panel or press **ON/OFF**, the camcorder will turn on in recording mode. The shooting mode icons in the operating modes bar are the same icons used in the shooting mode selection screen.

### When you have finished recording

Close the **LCD** panel or press **ON/OFF** to turn off the camcorder.


Slide the lens cover switch up. To protect the lens, keep the lens cover closed when you are not recording.


Be sure to save your recordings regularly.

If you plan on making a long recording while the camera is in a fixed position, such as mounted on a tripod, you can record with the **LCD** panel closed in order to conserve the battery's power.

## Playback

Press  to display the playback index screen.

- You can press  repeatedly to switch back and forth between recording mode and playback mode.

- You can press  when the camcorder is off to turn it on directly in playback mode.

- The index screen that appears will depend on the recording mode that was used previously.

- Touch the desired scene to play it back. The camcorder will play back the scene selected and continue until the end of the last scene in the index screen.

- Touch the screen to display the playback controls. During playback the controls will disappear automatically after a few seconds without operation.

To adjust the volume, touch the screen to display the playback controls.

Touch [] Touch [] or [] to adjust the volume, and touch [].

## Advanced Settings

### Film Recording Format

You can choose to record movies in AVCHD or MP4 format. AVCHD offers fantastic picture quality during playback. They can be easily copied to external devices, such as a Blu-Ray Disc recorder. MP4 movies are versatile and can be easily played back on smartphones and uploaded to the internet.

## Headphones

Using headphones for playback or to check the audio level while recording. Connect the headphones to the AV Out/🎧 terminal. This terminal is used for both headphones and analogue audio/video output so be sure to change the function of the terminal in advance.

1. Change the function of the terminal to headphones output.

🏠 > [🔊 Other Settings] > 🖱️ > [AV/Headphones]  
[🎧 Headphones] > [↩️]

2. Connect the headphones to the AV Out/🎧 Terminal.

3. Adjust the volume as necessary.

Volume > [🎧] or [🎧🔊]\* to adjust the volume > [X]